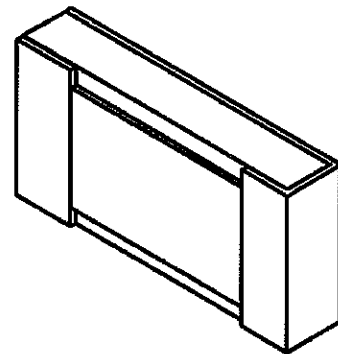
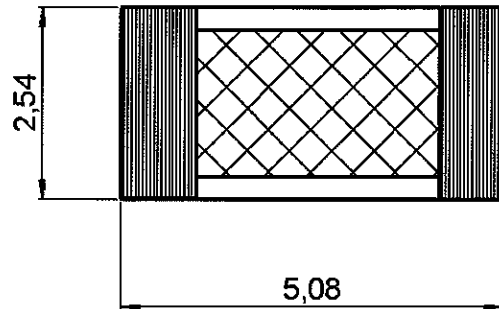
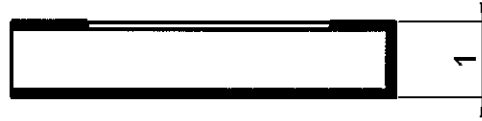


SMT TERMINATION (ALN)

DC - 2.2 GHZ 10 W

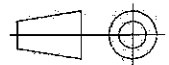
**R401.212.105**

Series :  
**TERMINATION**



Packaged in a bag of 100 pieces

dimensions are in mm.



Issue : 0520 A

In the effort to improve our products, we reserve the right to make changes judged to be necessary.



**SMT TERMINATION (ALN)**

**DC - 2.2 GHZ 10 W**

**R401.212.105**

Series :  
**TERMINATION**

**ELECTRICAL CHARACTERISTICS**

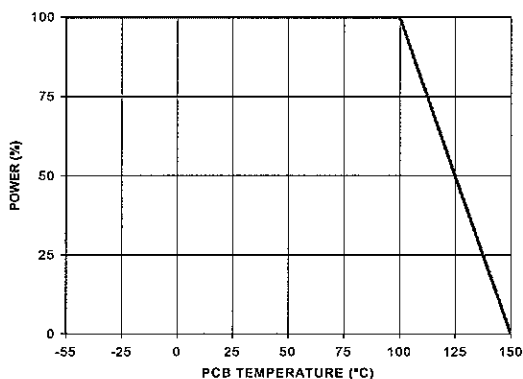
Frequency range : DC – 2.2 GHz  
 Impedance : 50 ohms ±5%  
 Average Power : 10 W

Frequency	DC – 2.2 GHz				
V.S.W.R	<= 1.20				

**MECHANICAL CHARACTERISTICS**

Substrate : AlN  
 Resistive film type : Thick film  
 Protective coating : Epoxy  
 Solderable terminal & ground : AgPd

Power derating  
Versus temperature



**OTHER CHARACTERISTICS**

**ENVIRONMENTAL**

Operating temperature range : -55°C + 150°C